



Installation instructions, accessories

Volvo Car Corporation Gothenburg, Sweden

Instruction No	Version	Part. No.
31408880	1.4	31454787, 31408878

Towbar detachable



Installation instructions, accessories

Volvo Car Corporation Gothenburg, Sweden

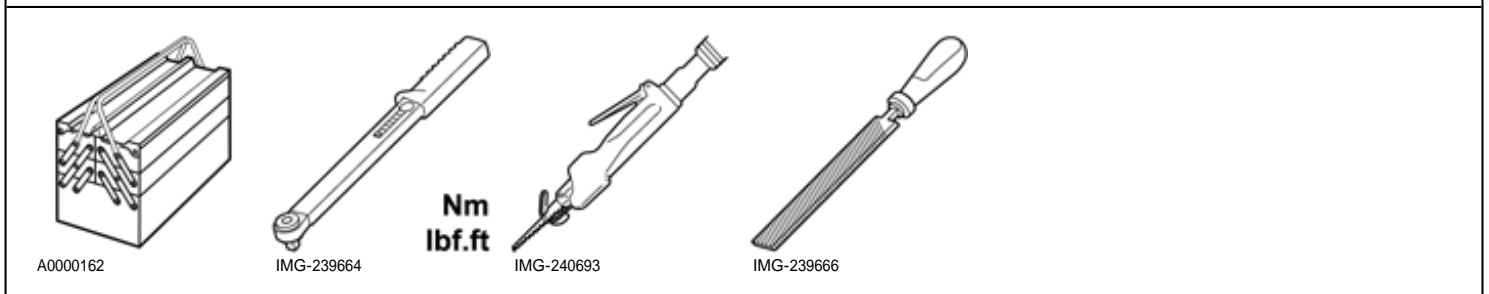
Special tools

	<p>999 5972 FIXTURE (UNIVERSAL/TRANSAXLES)</p> <p>Tool number:999 5972</p> <p>Tool description:FIXTURE (UNIVERSAL/TRANSAXLES)</p> <p>Tool boards:43</p>
	<p>998 5972 JACK (HYDRAULIC)</p> <p>Tool number:998 5972</p> <p>Tool description:JACK (HYDRAULIC)</p> <p>Tool boards:40</p>
	<p>999 7338 Extension rod</p> <p>Tool number:999 7338</p> <p>Tool description:Extension rod</p> <p>Tool boards:80</p>

Materials

Designation	Part number
Rust inhibitor, low viscosity	
Isopropanol	1161721

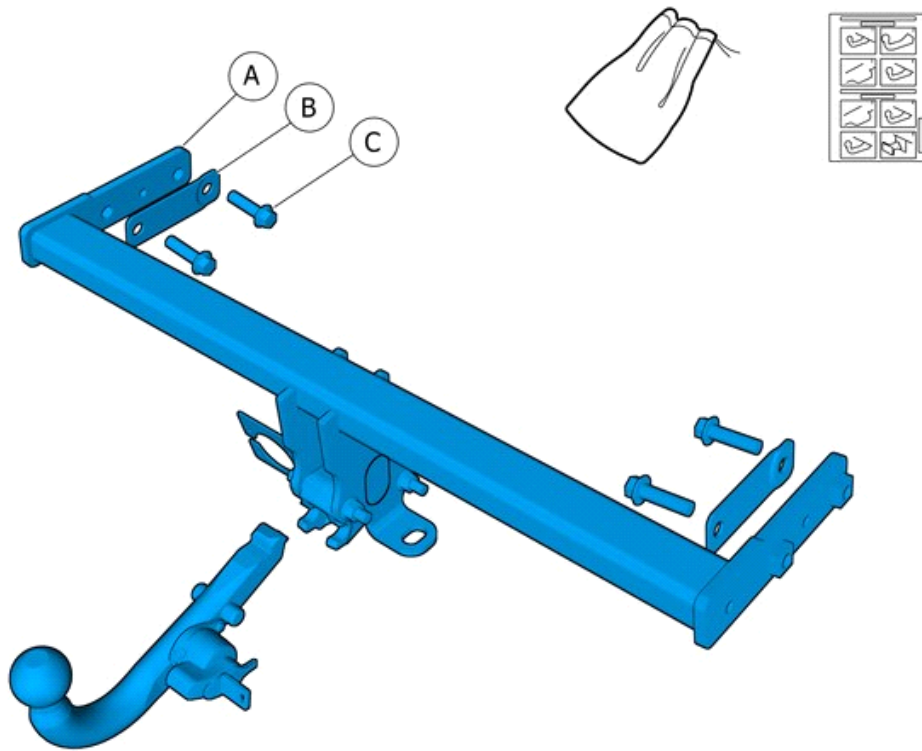
Equipment





Installation instructions, accessories

Volvo Car Corporation Gothenburg, Sweden

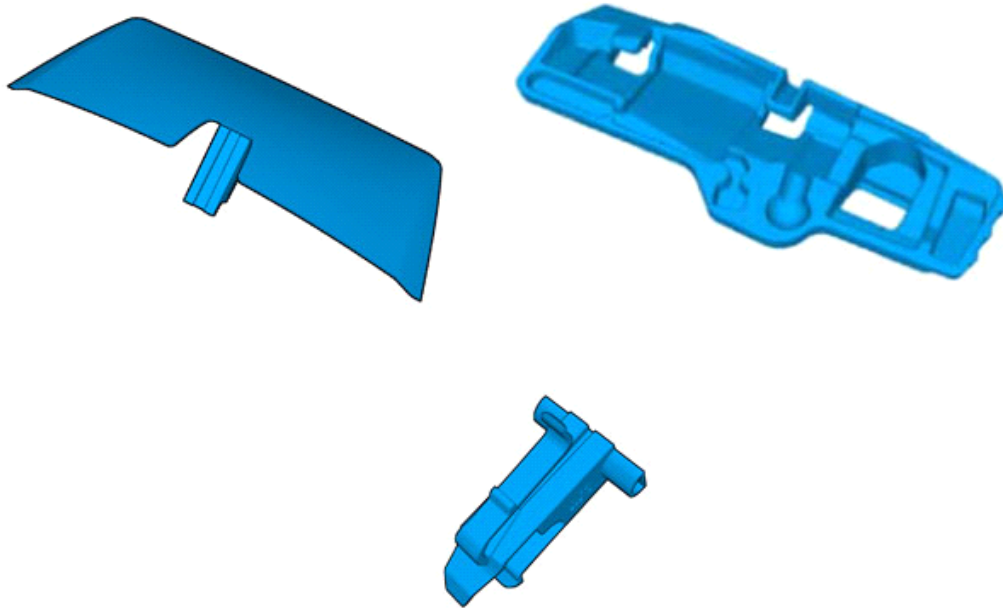


IMG-405686



Installation instructions, accessories

Volvo Car Corporation Gothenburg, Sweden

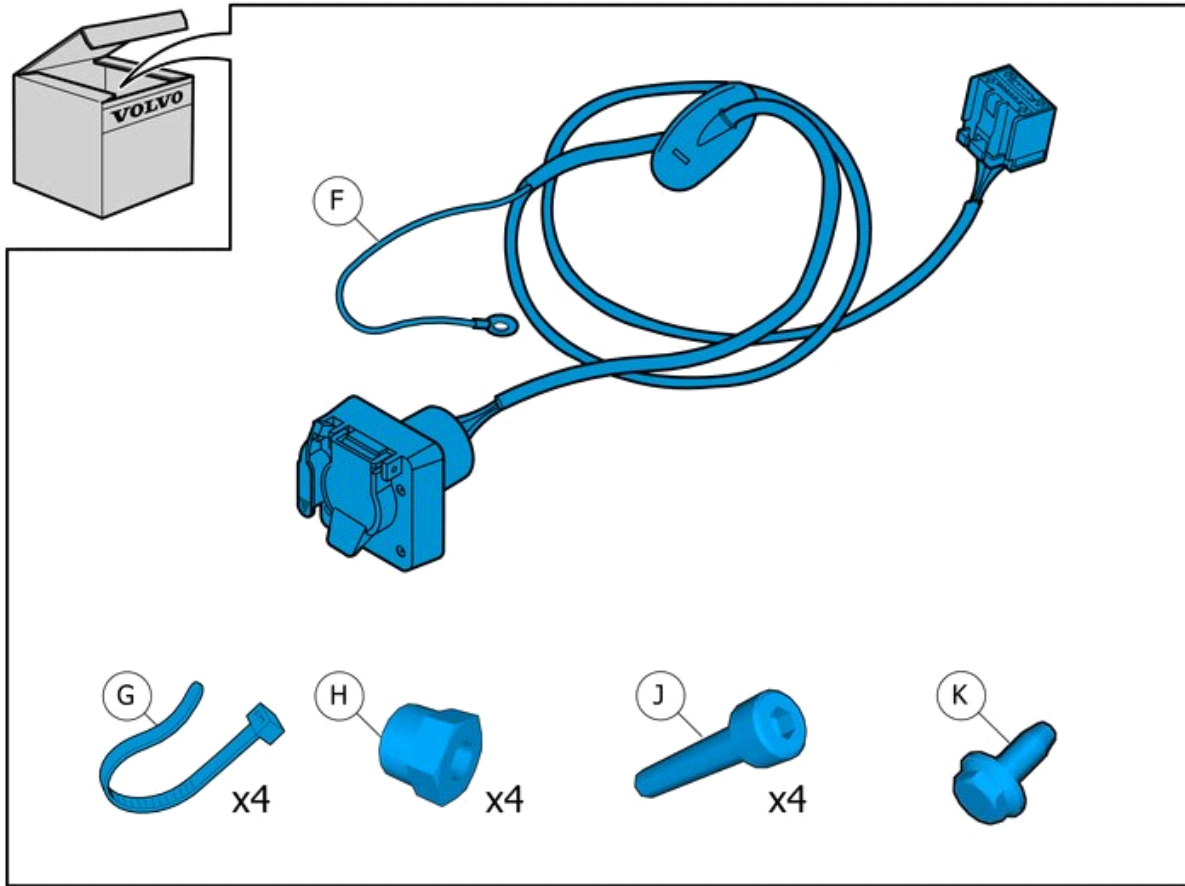


IMG-376708



Installation instructions, accessories

Volvo Car Corporation Gothenburg, Sweden

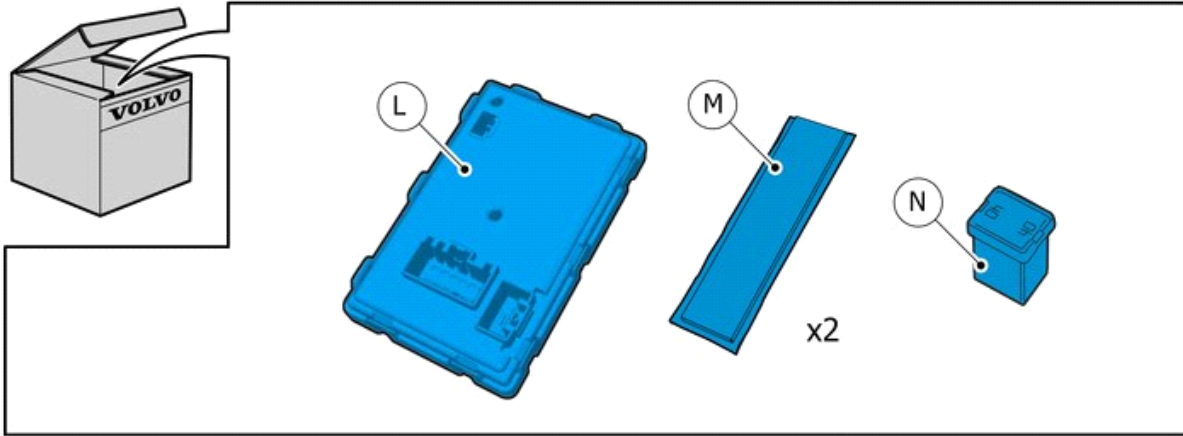


IMG-407125



Installation instructions, accessories

Volvo Car Corporation Gothenburg, Sweden



IMG-407121



Installation instructions, accessories

Volvo Car Corporation Gothenburg, Sweden

Information

1

Read through all of the instructions before starting installation.

Notifications and warning texts are for your safety and to minimise the risk of something breaking during installation.

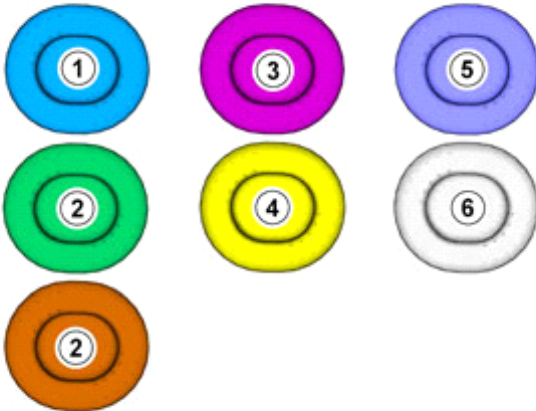
Ensure that all tools stated in the instructions are available before starting installation.

Certain steps in the instructions are only presented in the form of images. Explanatory text is also given for more complicated steps.

In the event of any problems with the instructions or the accessory, contact your local Volvo dealer.

Color symbols

2



IMG-363036

Note!

This colour chart displays (in colour print and electronic version) the importance of the different colours used in the images of the method steps.

- Used for focused component, the component with which you will do something.
- Used as extra colors when you need to show or differentiate additional parts.
- Used for attachments that are to be removed/installed. May be screws, clips, connectors, etc.
- Used when the component is not fully removed from the vehicle but only hung to the side.
- Used for standard tools and special tools.
- Used as background color for vehicle components.

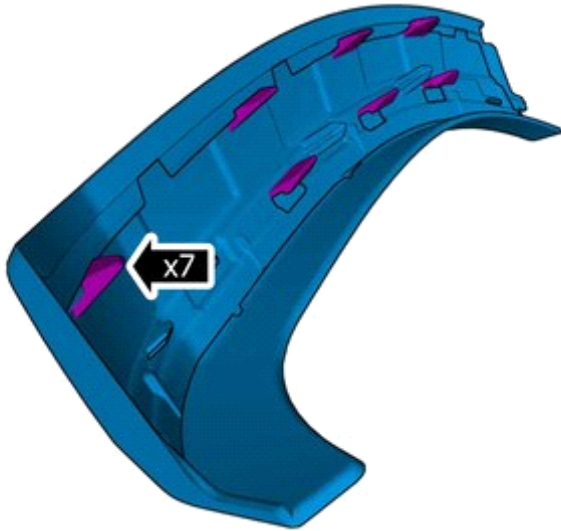
Removal



Installation instructions, accessories

Volvo Car Corporation Gothenburg, Sweden

3

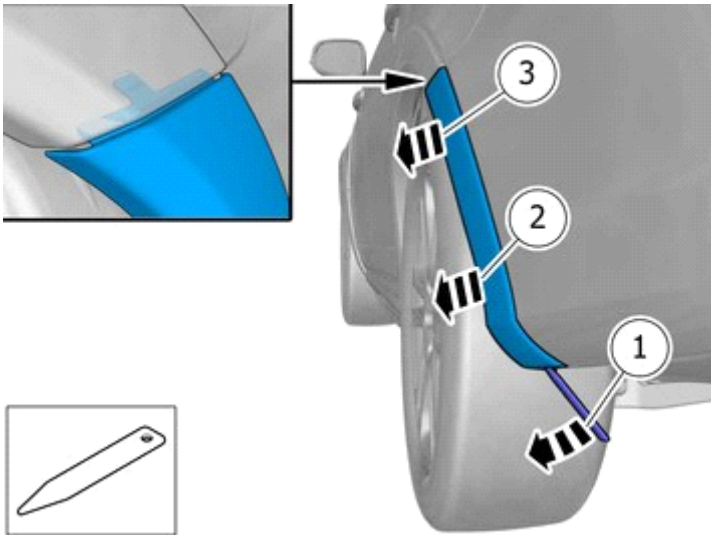


IMG-408840

Note!

The graphic shows the back of the component before removal.

4



IMG-408815

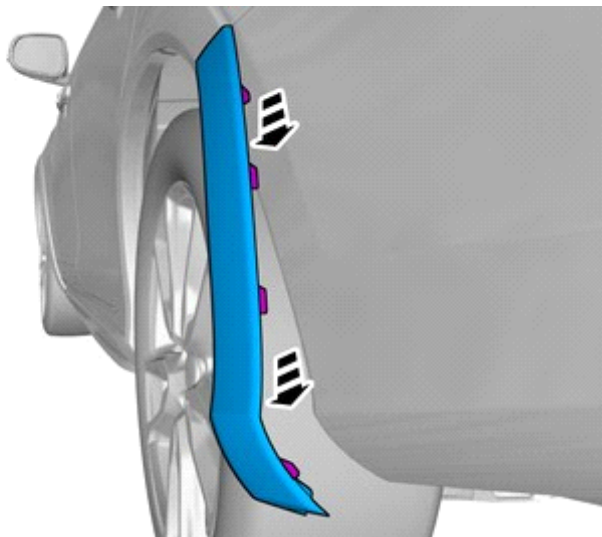
Note!

Make sure to follow the sequence indicated.

Remove the part carefully

Repeat on the other side.

5



IMG-408830

Remove the marked part.

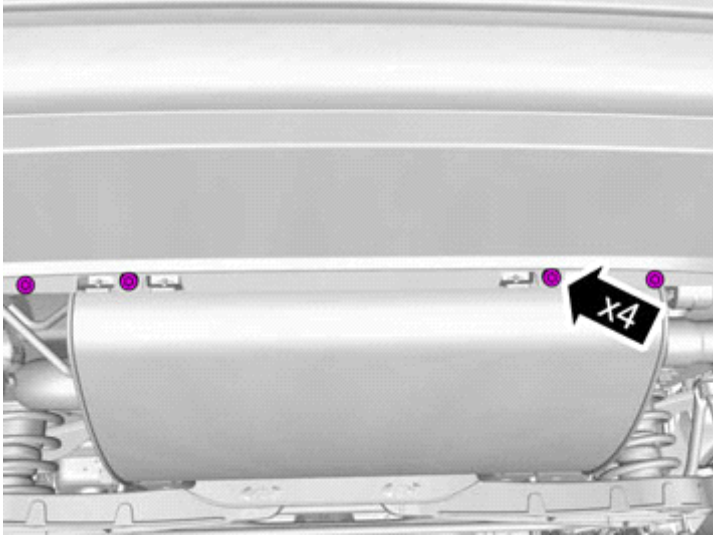
Repeat on the other side.



Installation instructions, accessories

Volvo Car Corporation Gothenburg, Sweden

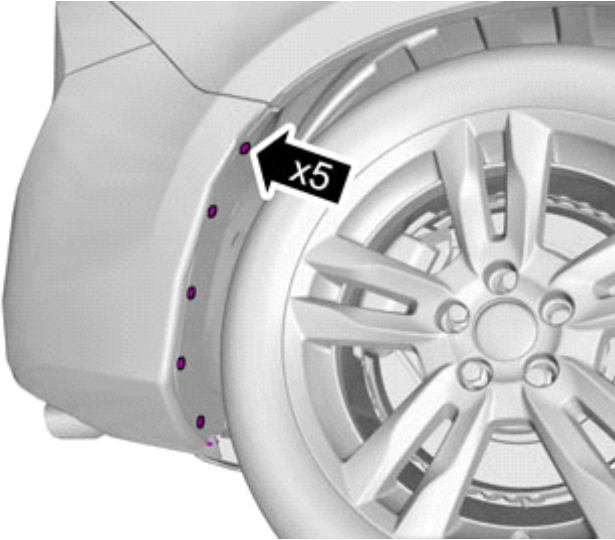
6



IMG-371600

Remove the screws.

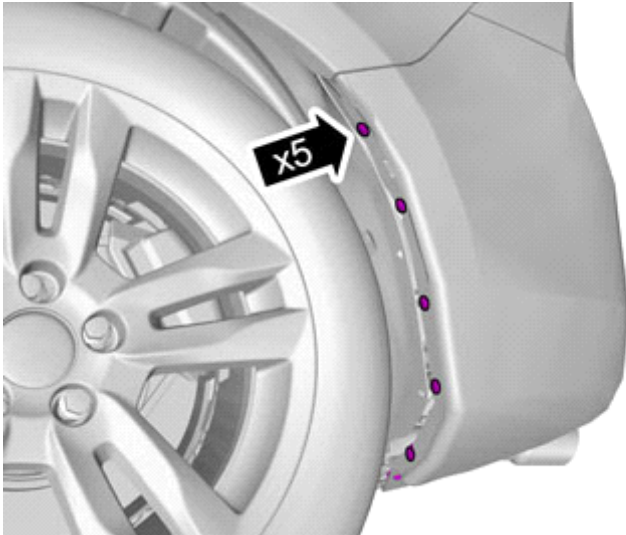
7



IMG-337277

Remove the screws.

8



IMG-337278

Remove the screws.

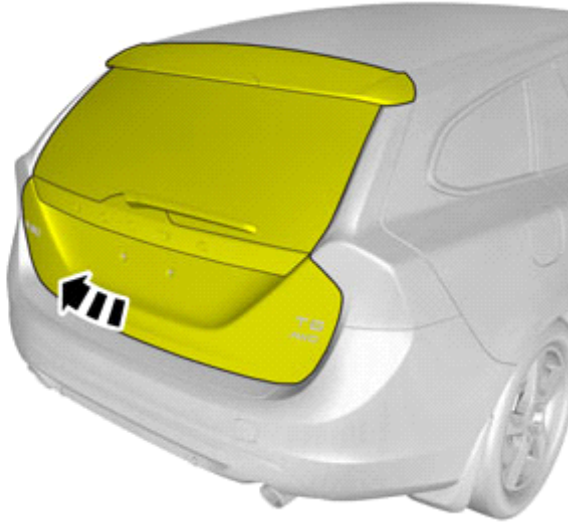


Installation instructions, accessories

Volvo Car Corporation Gothenburg, Sweden

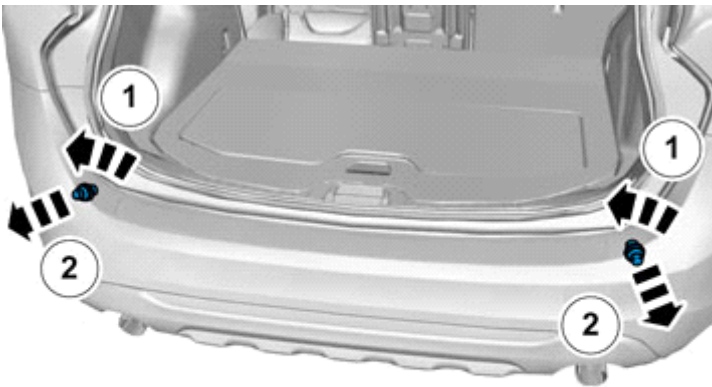
9

Open the tailgate.



IMG-351651

10



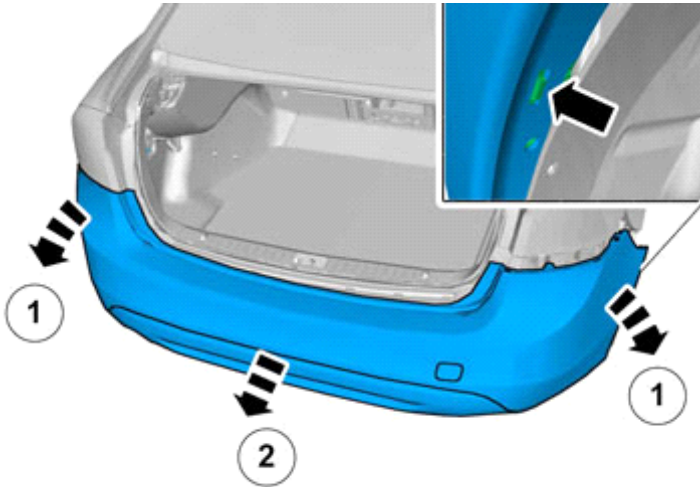
IMG-343213



Installation instructions, accessories

Volvo Car Corporation Gothenburg, Sweden

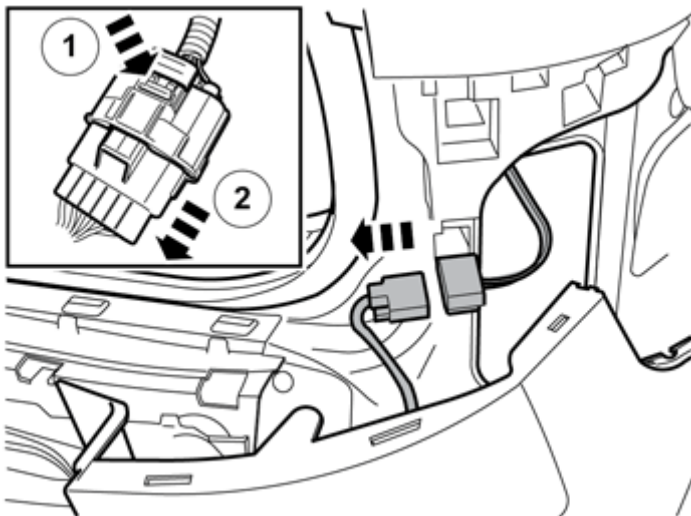
11



Request the aid of a colleague for this procedure.

IMG-337279

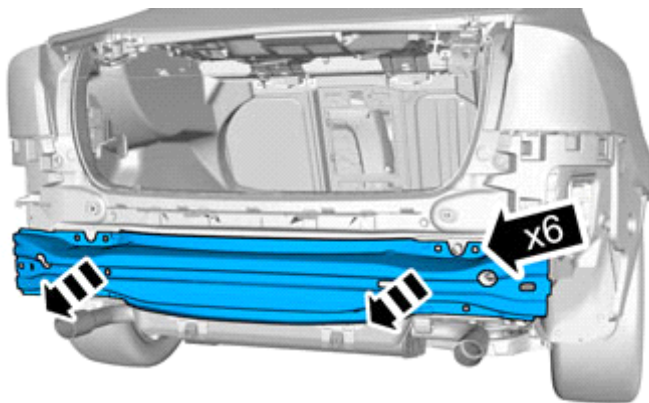
12



Disconnect the connector.

IMG-337311

13



Caution!

The part is to be reused.

Note!

The screws are to be reused.

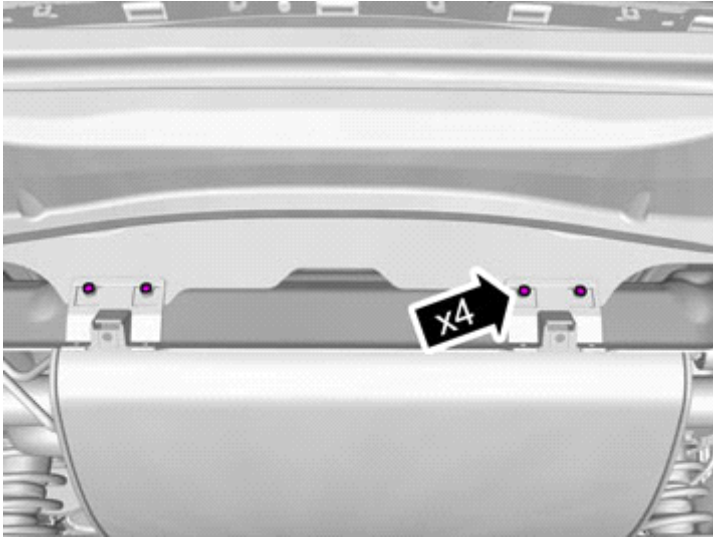
IMG-337283



Installation instructions, accessories

Volvo Car Corporation Gothenburg, Sweden

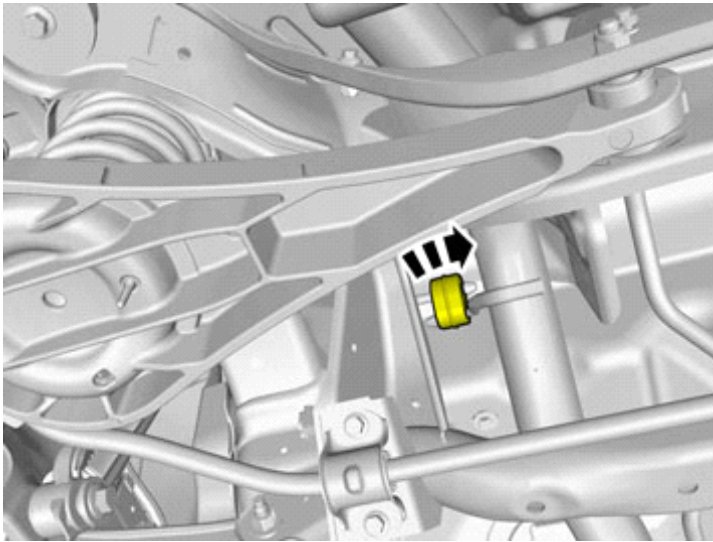
14



IMG-337281

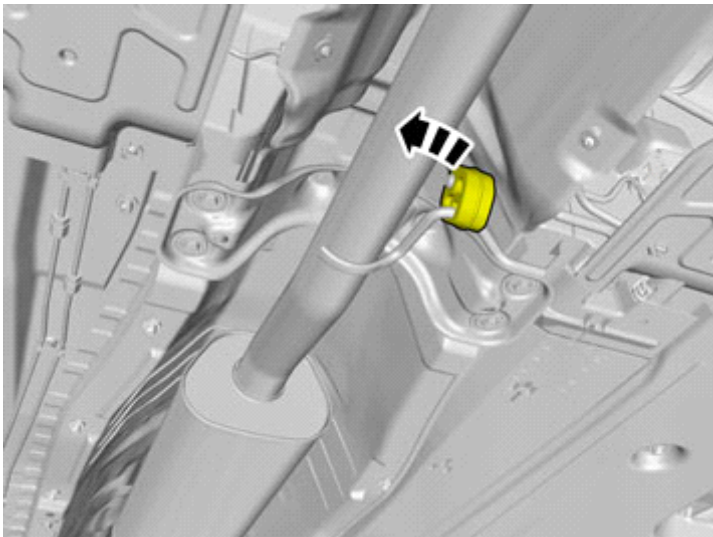
Remove the screws.

15



IMG-337285

16



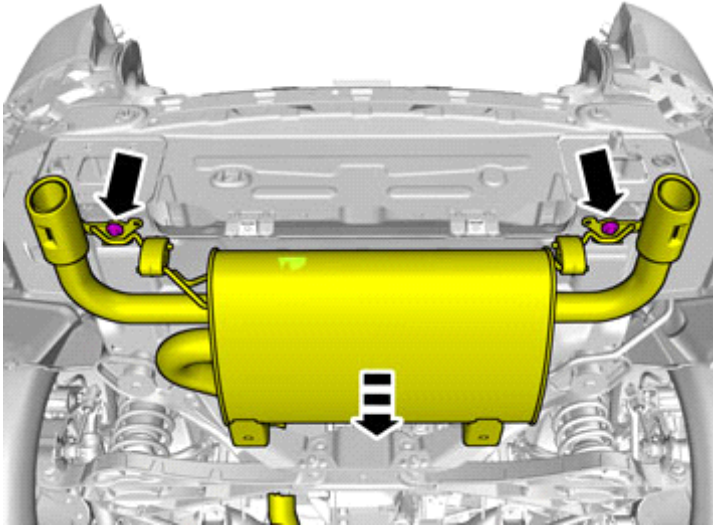
IMG-337286



Installation instructions, accessories

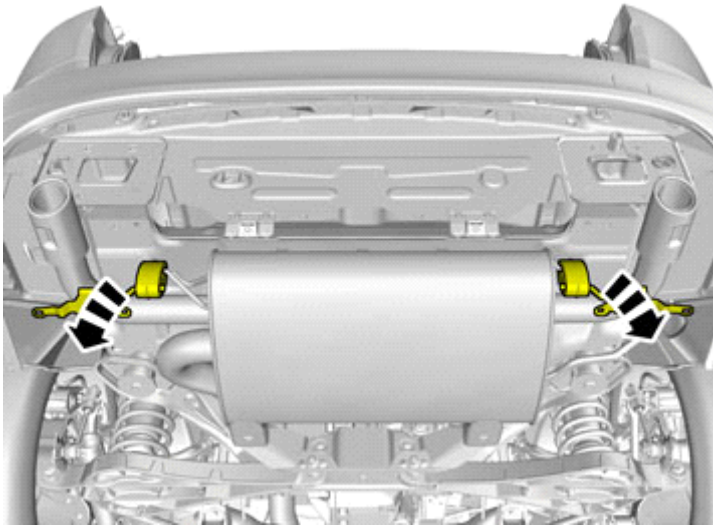
Volvo Car Corporation Gothenburg, Sweden

17



IMG-337287

18



IMG-337288

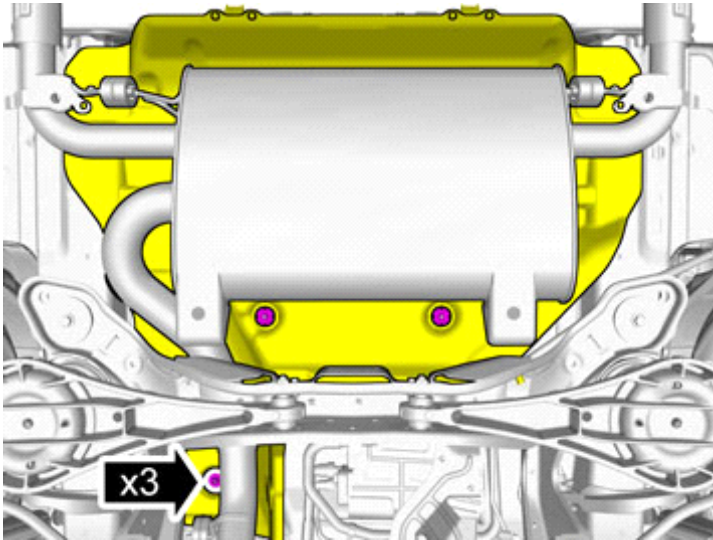
Caution!
Make sure that the exhaust flexible pipe is not forcibly bent or twisted.



Installation instructions, accessories

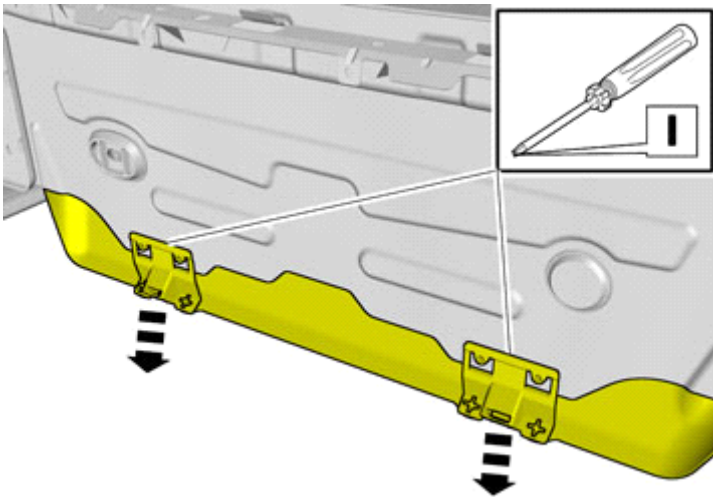
Volvo Car Corporation Gothenburg, Sweden

19



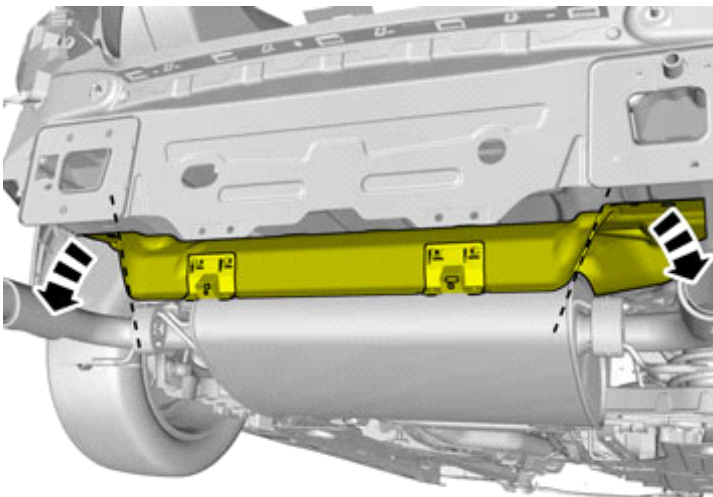
IMG-374625

20



IMG-337290

21



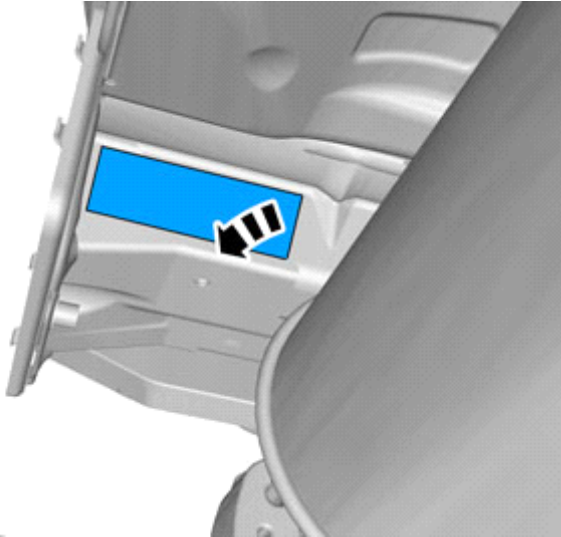
IMG-337291



Installation instructions, accessories

Volvo Car Corporation Gothenburg, Sweden

22

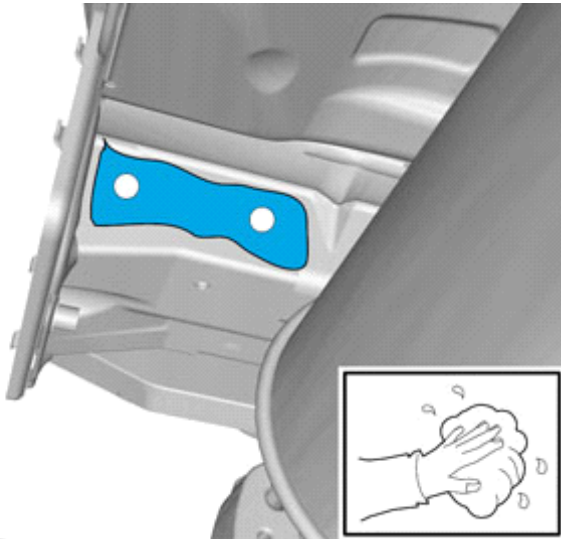


IMG-337292

Remove the marked part.

Repeat on the other side.

23



IMG-337293

Scrape off all sealant from the flat surface.

Clean the surface.

Repeat on the other side.

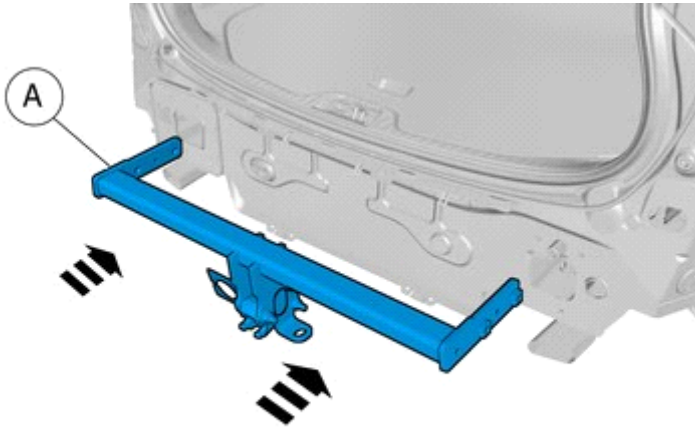
Accessory installation



Installation instructions, accessories

Volvo Car Corporation Gothenburg, Sweden

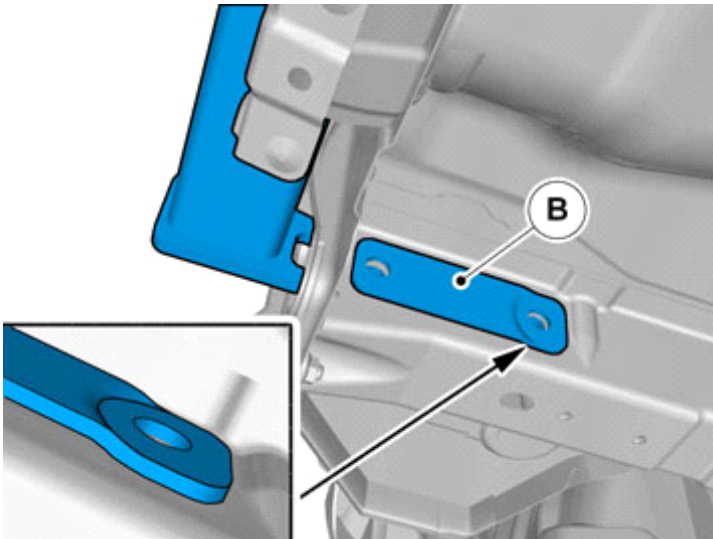
24



Install component that comes with the accessory kit.

IMG-405690

25

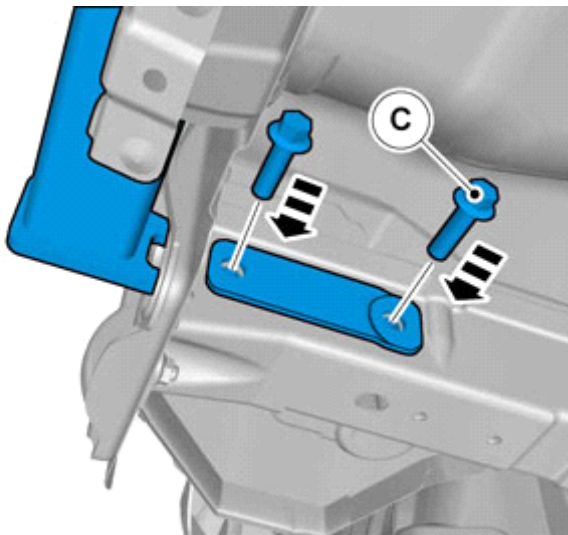


IMG-355355

Note!

Note the position.

26



IMG-355356

Caution!

Make sure that the exhaust flexible pipe is not forcibly bent or twisted.

Note!

Only tighten the nut finger tight at this stage.

Install the screws.

Repeat on the other side.

Use special tool: T9995972, FIXTURE
(UNIVERSAL/TRANSAXLES)

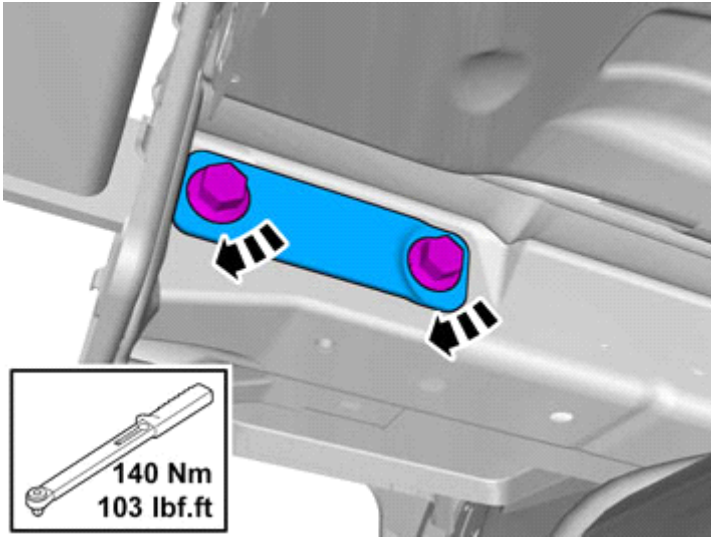
Use special tool: T9985972, JACK (HYDRAULIC)



Installation instructions, accessories

Volvo Car Corporation Gothenburg, Sweden

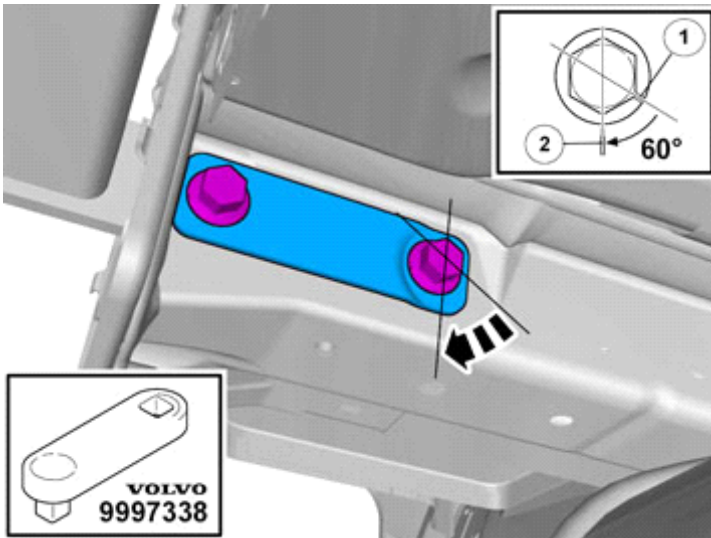
27



IMG-371531

Repeat on the other side.

28



IMG-371532

Repeat on the other side.

Use special tool: T9997338, Extension rod

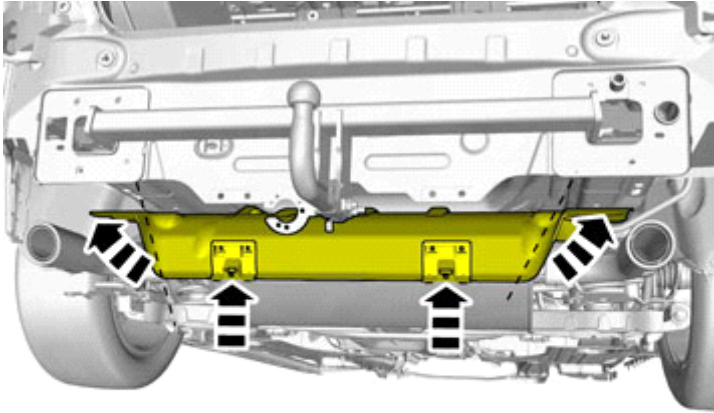
Installation



Installation instructions, accessories

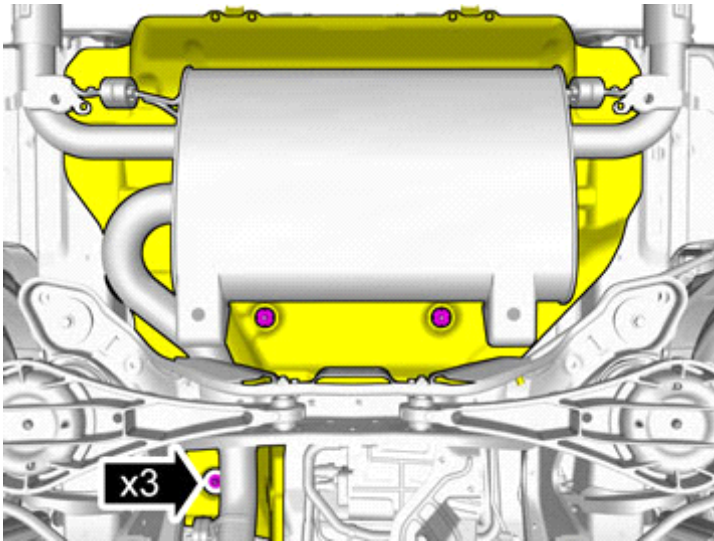
Volvo Car Corporation Gothenburg, Sweden

29



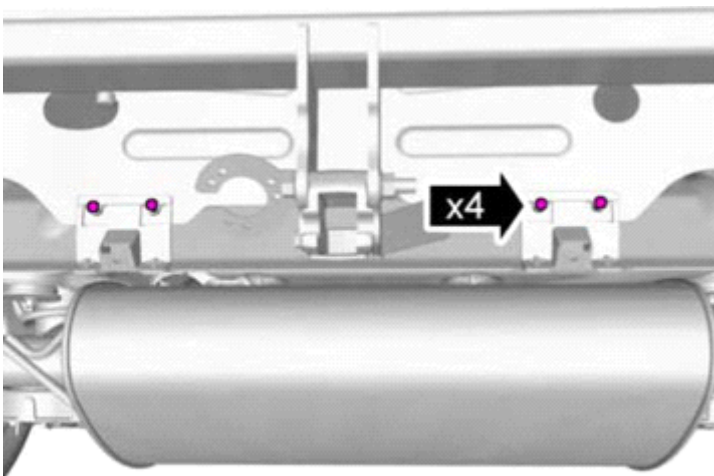
IMG-374624

30



IMG-374625

31



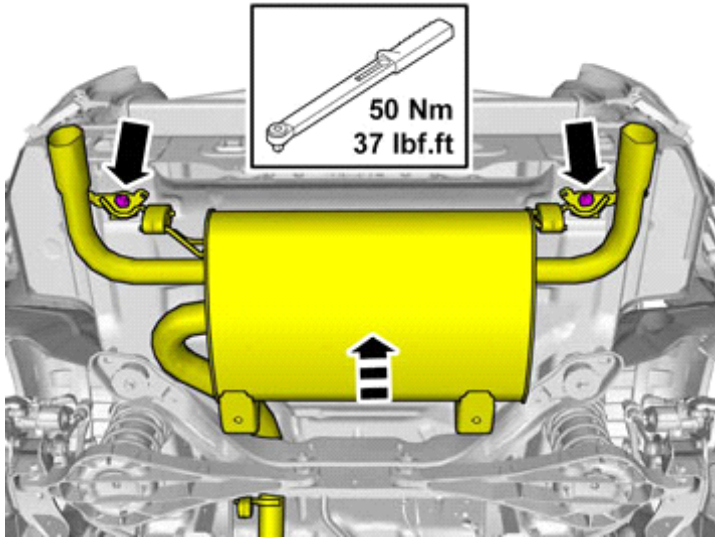
IMG-338056



Installation instructions, accessories

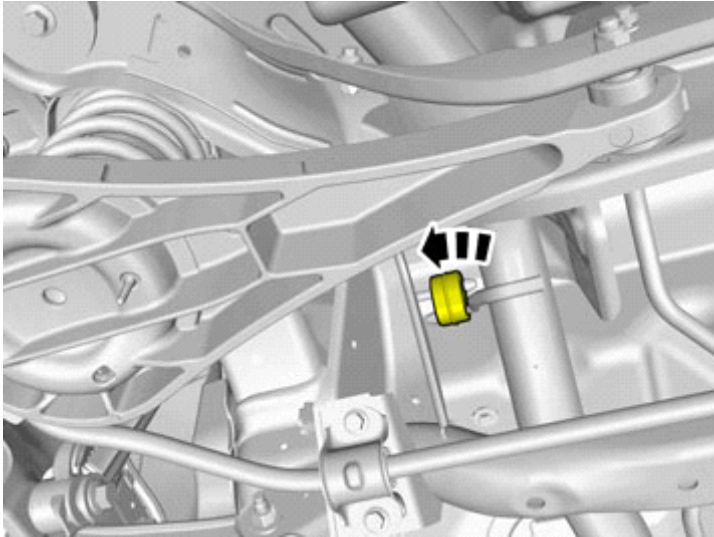
Volvo Car Corporation Gothenburg, Sweden

32



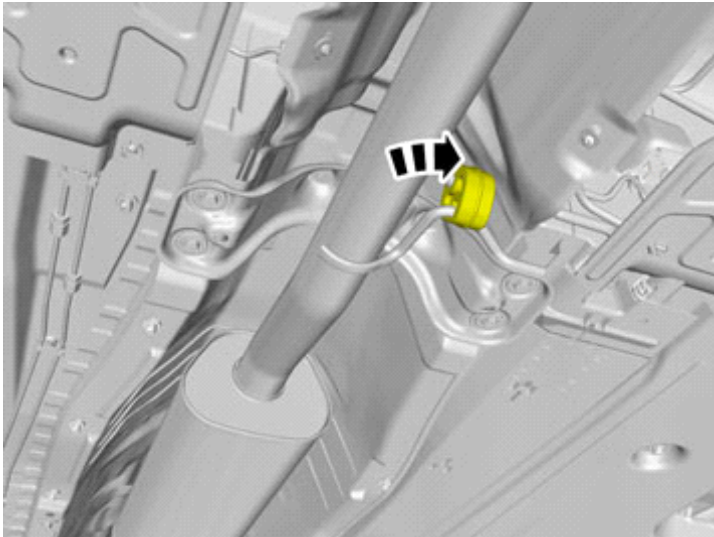
IMG-337297

33



IMG-337298

34



IMG-337299



Installation instructions, accessories

Volvo Car Corporation Gothenburg, Sweden

Removal

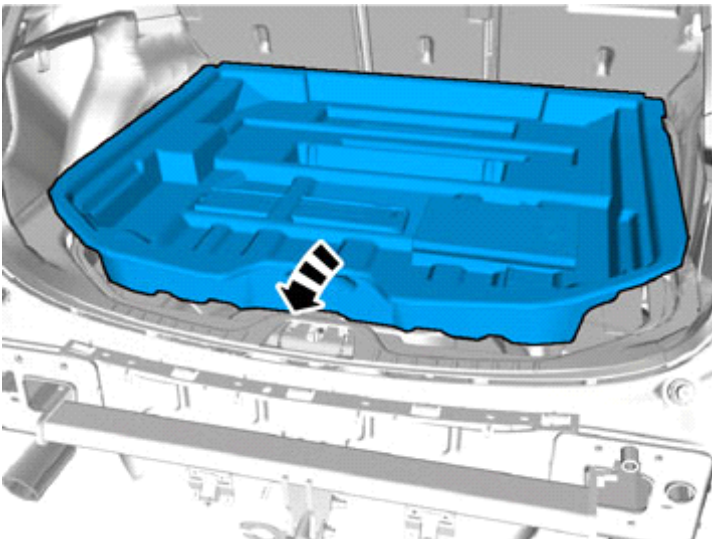
35



IMG-399458

Vehicles without spare wheel

36



IMG-342227

Remove the marked part.

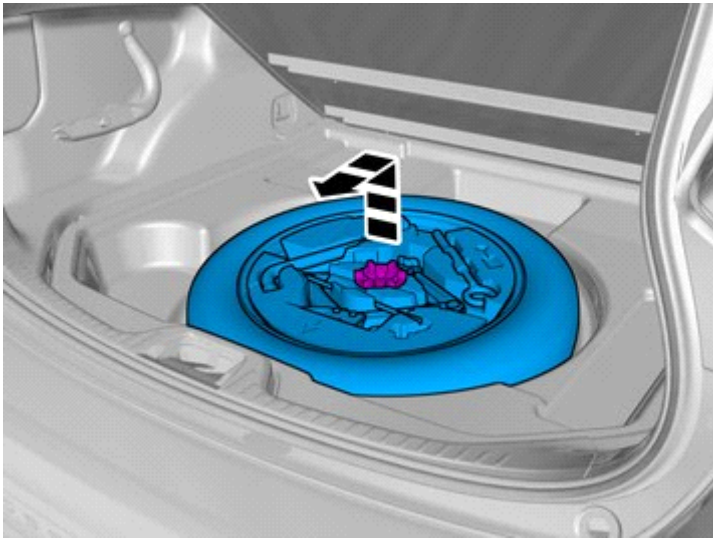
Vehicles with spare wheel



Installation instructions, accessories

Volvo Car Corporation Gothenburg, Sweden

37



IMG-399470

Remove the screw.

Remove the marked part.

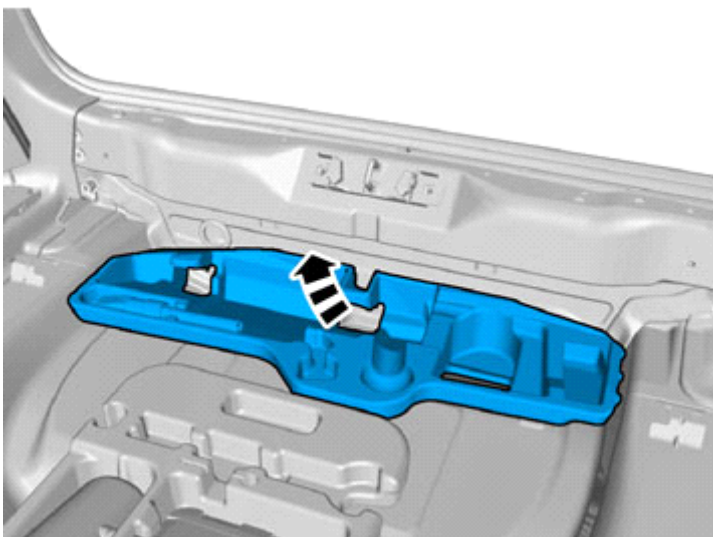
38



IMG-399471

Remove the marked part.

39



IMG-340229

Remove the marked part.

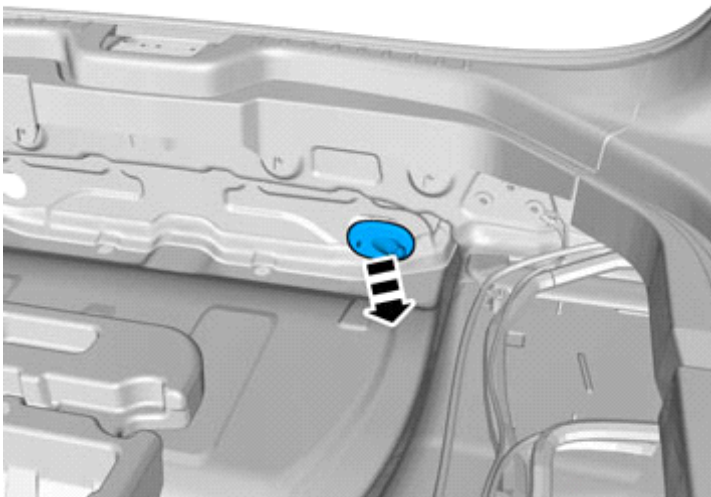


Installation instructions, accessories

Volvo Car Corporation Gothenburg, Sweden

All vehicles

40



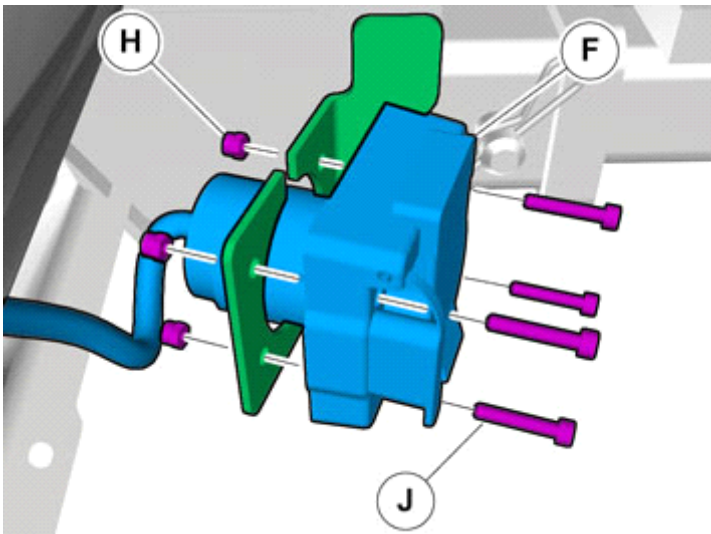
IMG-342235

Remove the marked part.

The part is not to be reused.

Accessory installation

41



IMG-368513

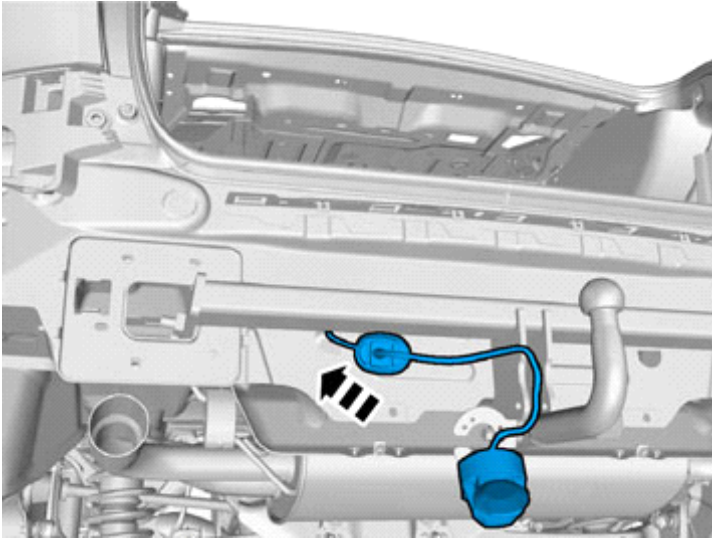
Install component that comes with the accessory kit.



Installation instructions, accessories

Volvo Car Corporation Gothenburg, Sweden

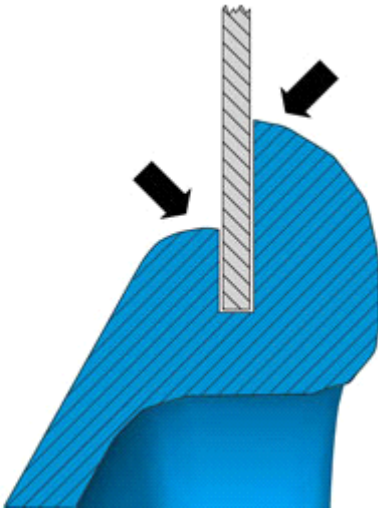
42



IMG-340237

Route the wiring harness into the passenger compartment.

43

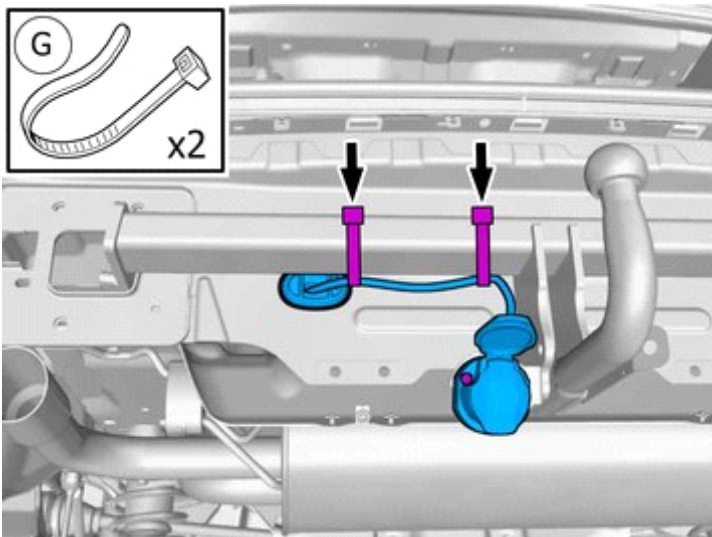


IMG-358177

Caution!

Make sure that the rubber grommet seals properly to the body.

44



IMG-407132

Use a cable tie

Install the wiring harness.

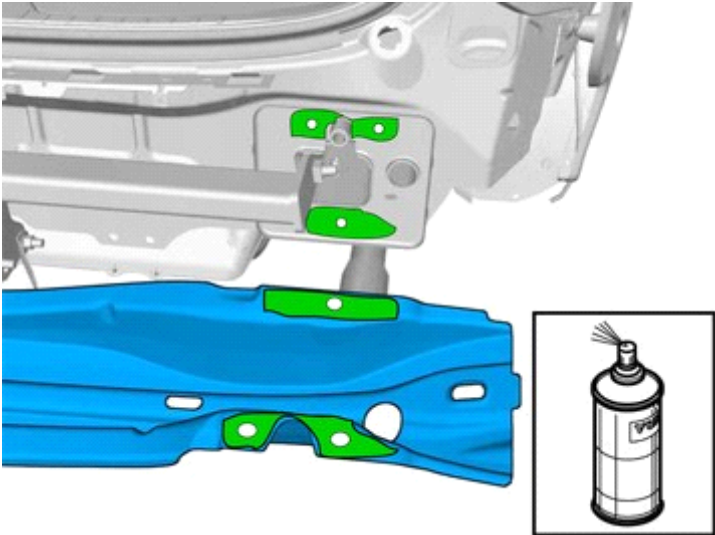


Installation instructions, accessories

Volvo Car Corporation Gothenburg, Sweden

Installation

45

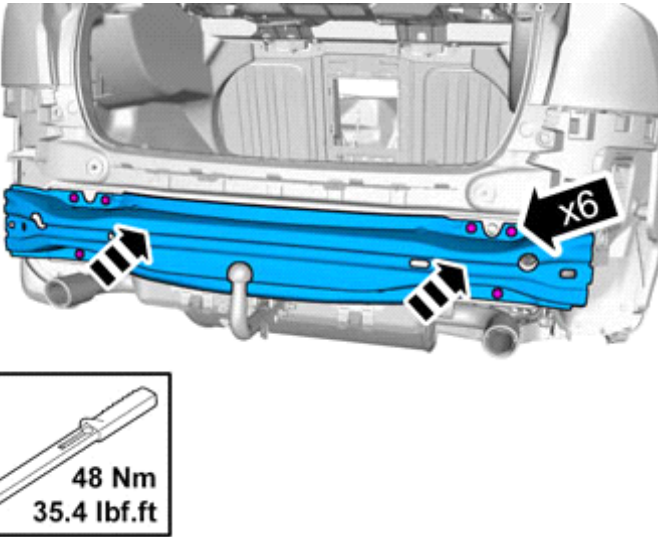


Use: , Rust inhibitor, low viscosity

Repeat on the other side.

IMG-400960

46



Reinstall the removed part.

48 Nm
35.4 lbf.ft

IMG-337977

Accessory installation

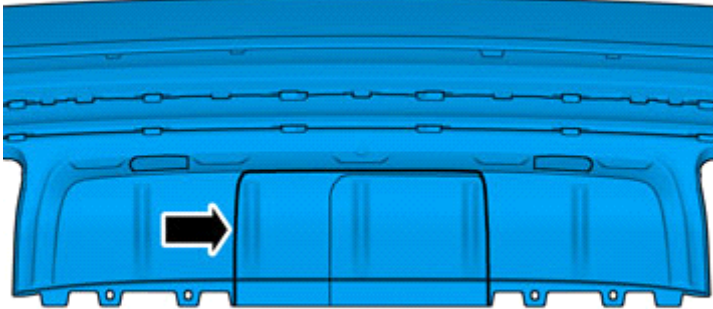


Installation instructions, accessories

Volvo Car Corporation Gothenburg, Sweden

47

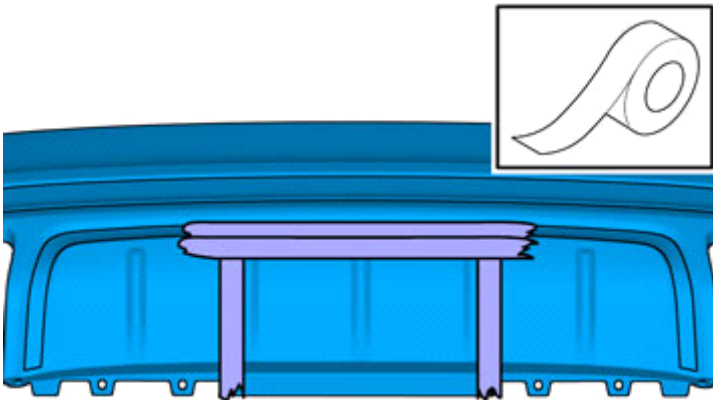
Locate relevant marking.



IMG-376815

48

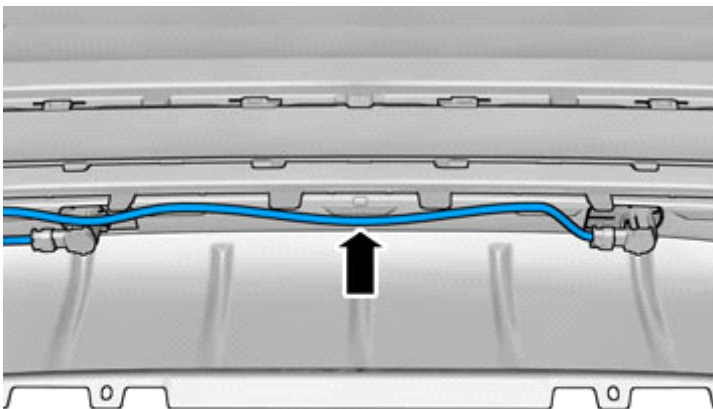
Apply tape to the other side, opposite the marking lines.



IMG-376820

49

Caution!
Take extra care not to damage the wiring harnesses.



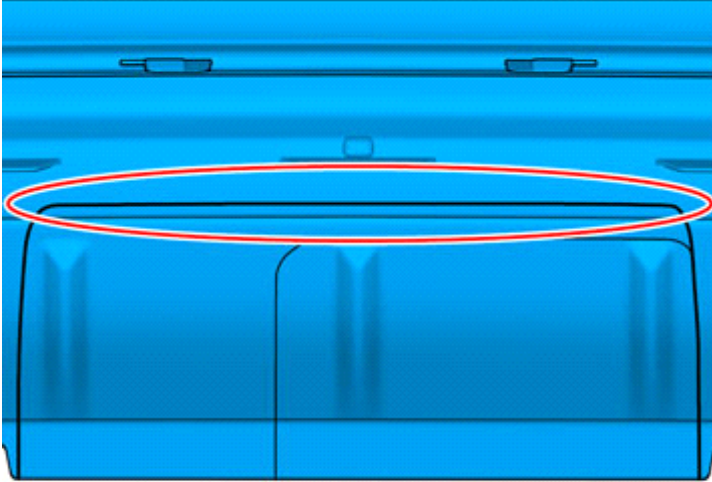
IMG-376804



Installation instructions, accessories

Volvo Car Corporation Gothenburg, Sweden

50

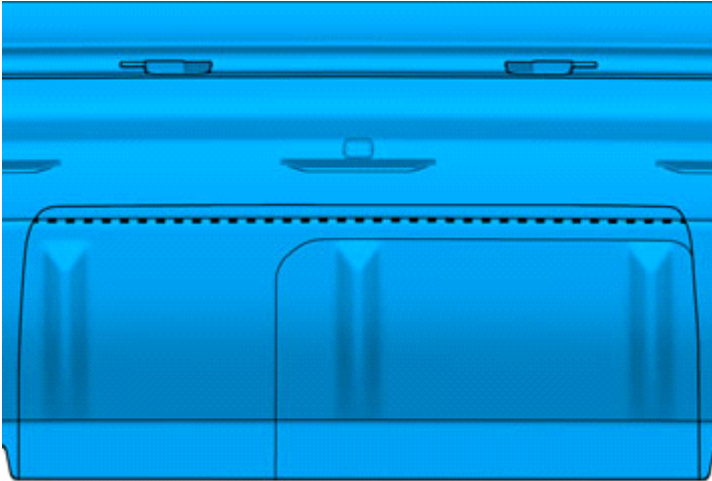


Note!

Do not use the uppermost line of the actual markings.

IMG-377003

51

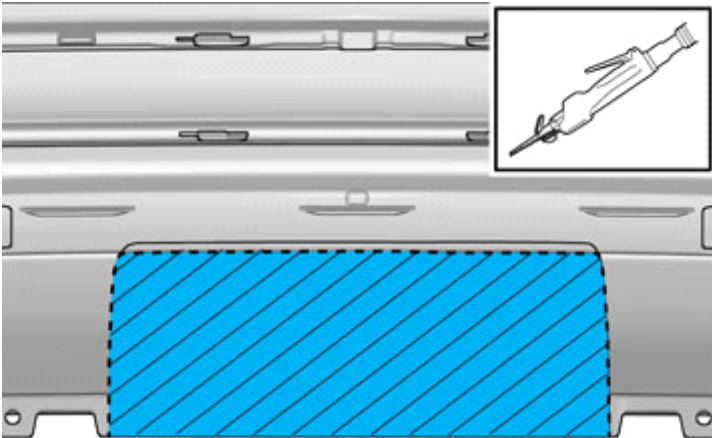


Note!

Saw in the radius between the existing marking lines.

IMG-376938

52



Use: Air-powered keyhole saw

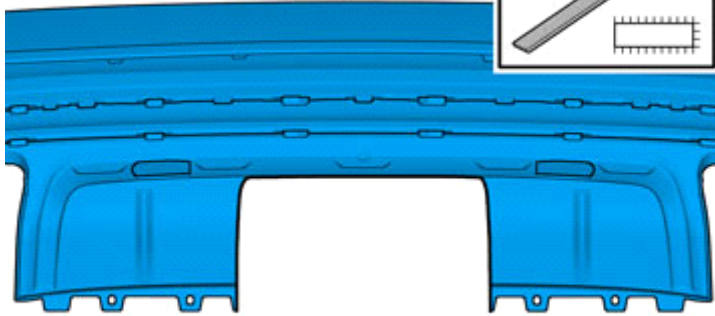
IMG-376948



Installation instructions, accessories

Volvo Car Corporation Gothenburg, Sweden

53

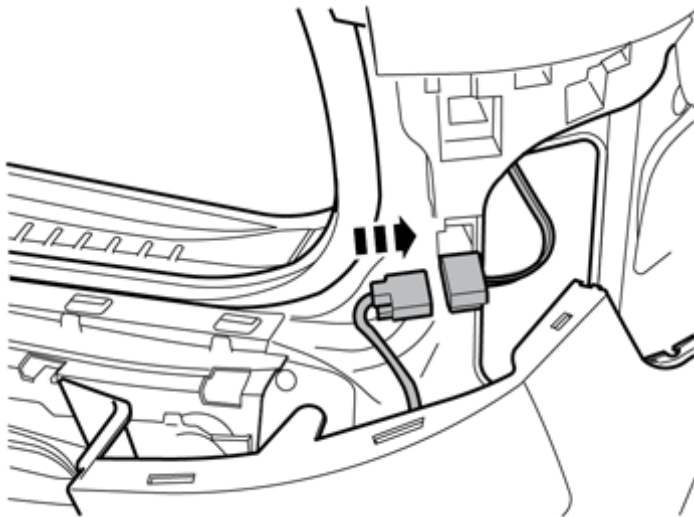


Deburr edges

IMG-376818

Installation

54



Connect the connector.

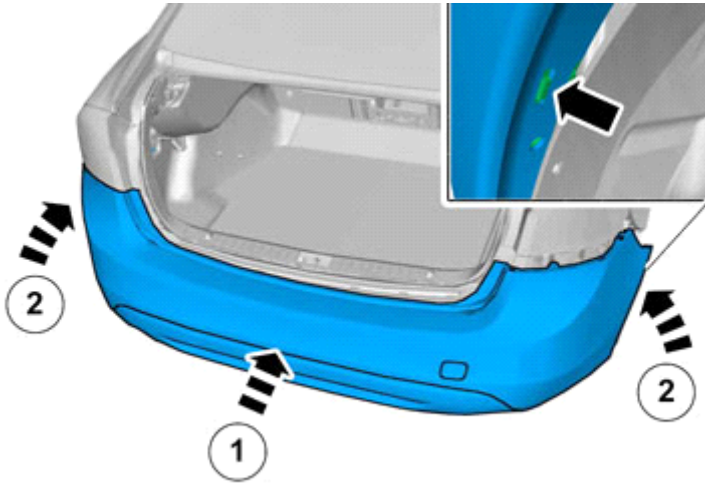
IMG-337324



Installation instructions, accessories

Volvo Car Corporation Gothenburg, Sweden

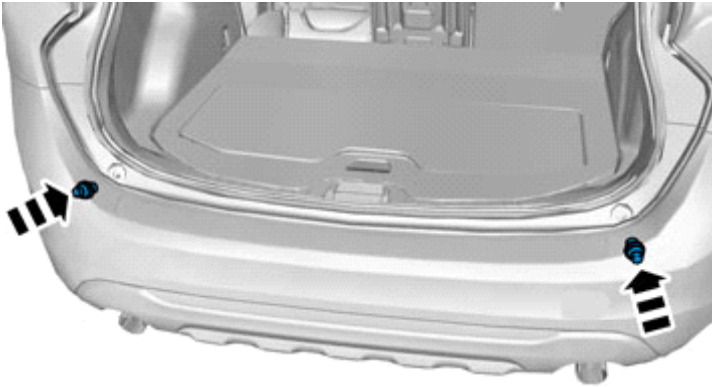
55



Request the aid of a colleague for this procedure.

IMG-338572

56



Reinstall the removed part.

IMG-343246

57



Install the screws.

IMG-337277



Installation instructions, accessories

Volvo Car Corporation Gothenburg, Sweden

58



IMG-337278

Install the screws.

59



IMG-338573

Install the screws.

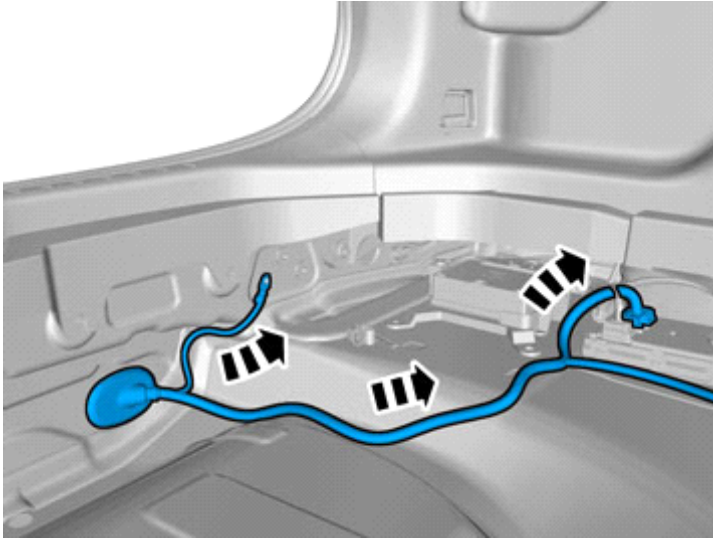
Accessory installation



Installation instructions, accessories

Volvo Car Corporation Gothenburg, Sweden

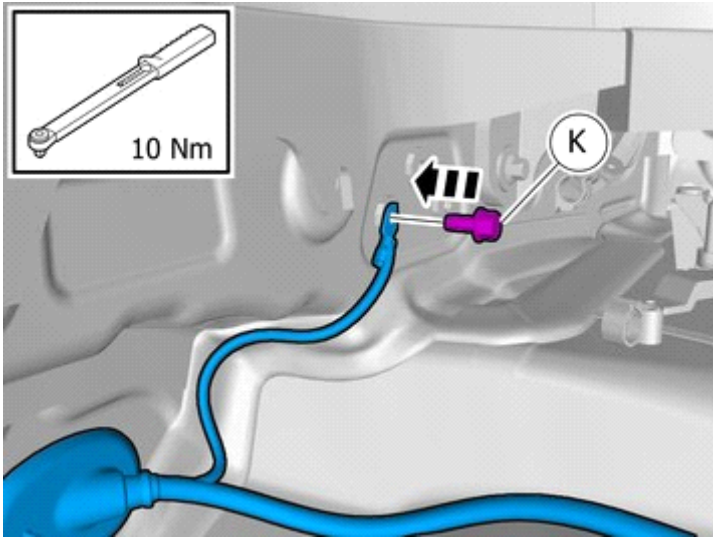
60



IMG-361571

Position/route the cable harness as illustrated.

61

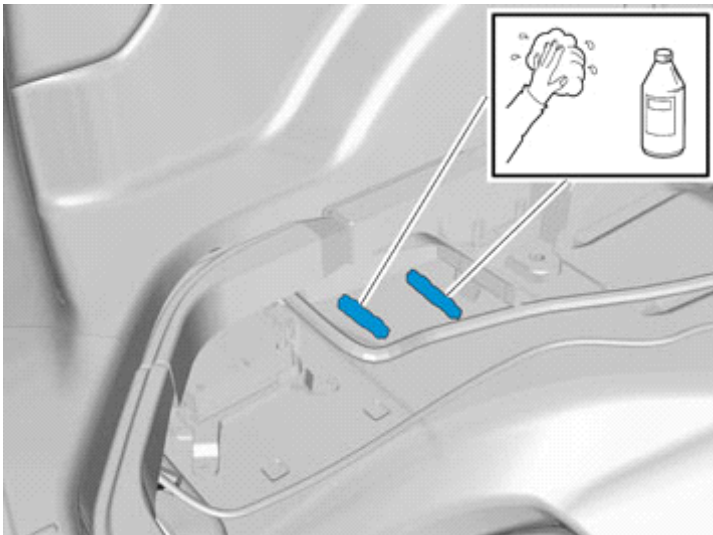


IMG-407126

Ground connection

Tightening torque: M6 , 10 Nm

62



IMG-361456

Clean the surfaces.

Use: 1161721, Isopropanol

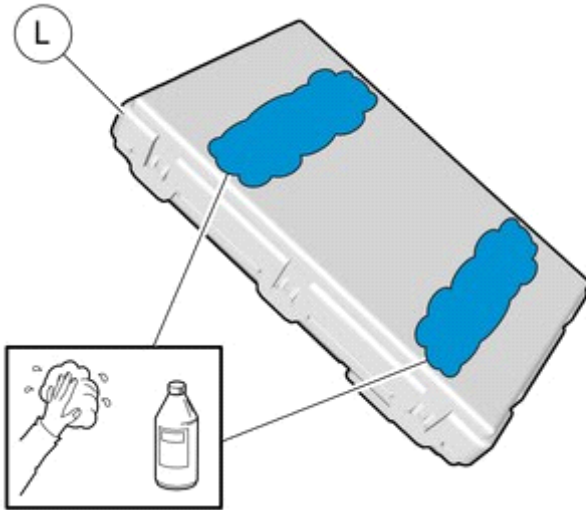
Wipe dry.



Installation instructions, accessories

Volvo Car Corporation Gothenburg, Sweden

63



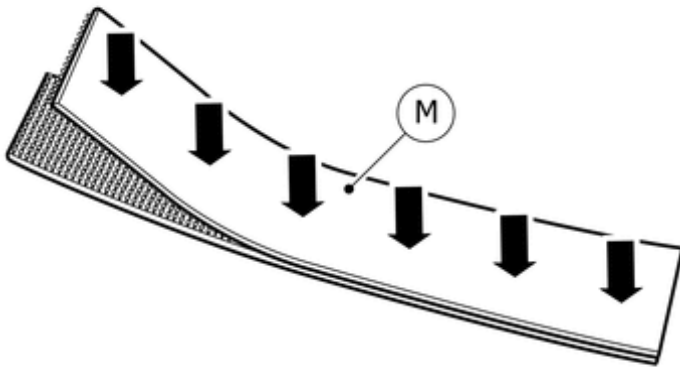
IMG-407168

Clean the surfaces.

Use: 1161721, Isopropanol

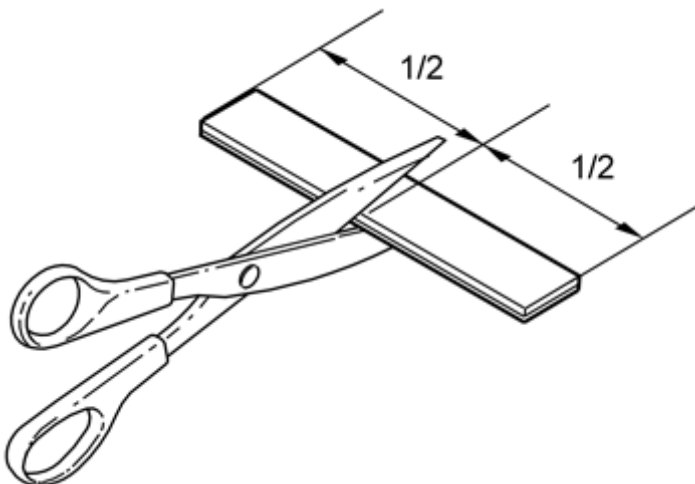
Wipe dry.

64



IMG-407167

65



IMG-222282

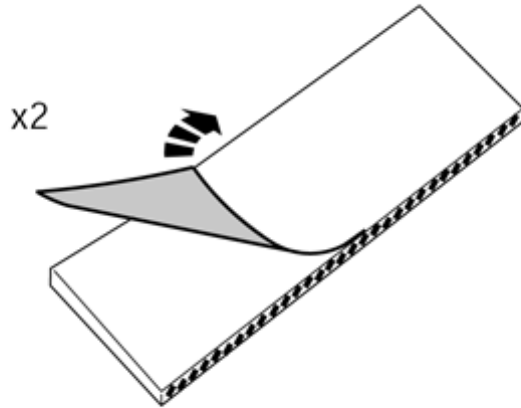


Installation instructions, accessories

Volvo Car Corporation Gothenburg, Sweden

66

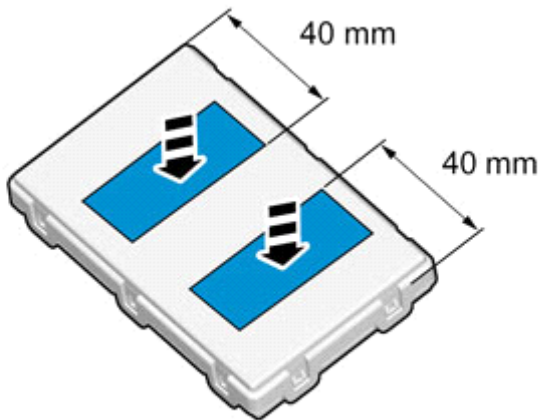
Remove the protective film.



IMG-241925

67

When installing Velcro tape the surface must maintain a temperature of at least +20 ° C (68°F).



IMG-356351

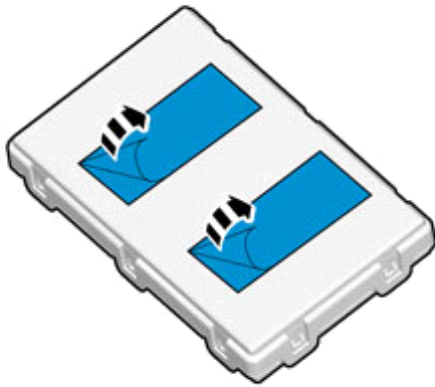


Installation instructions, accessories

Volvo Car Corporation Gothenburg, Sweden

68

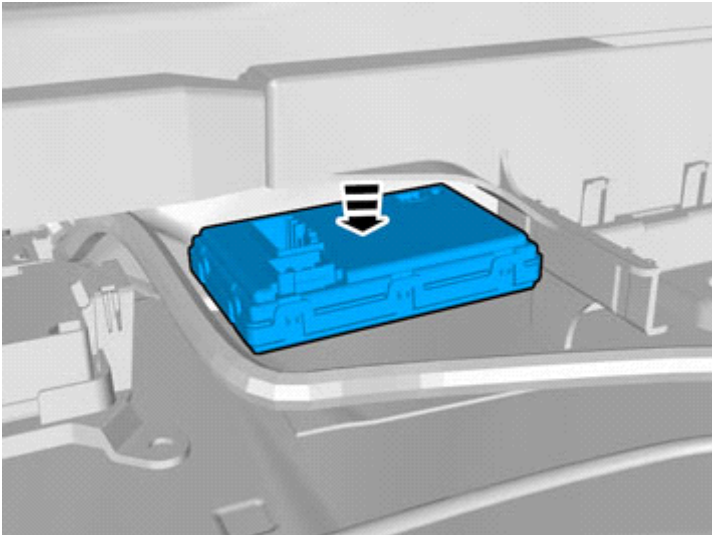
Remove the protective film.



IMG-356352

69

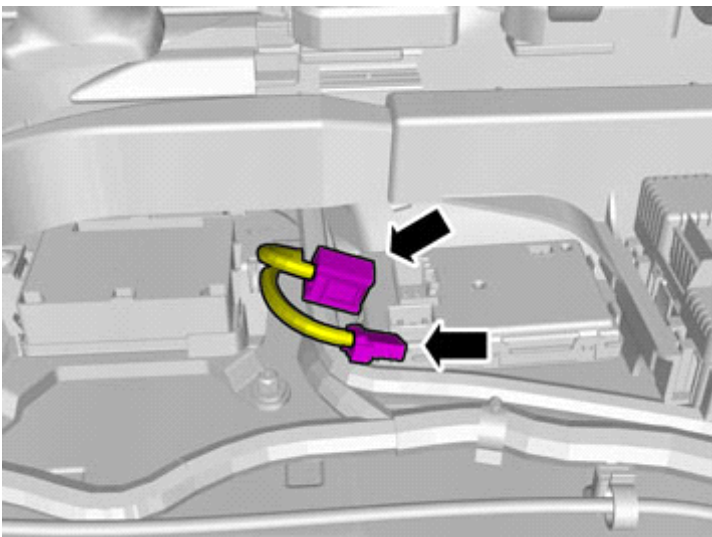
Install component that comes with the accessory kit.



IMG-361461

70

Locate the pre-routed connectors.



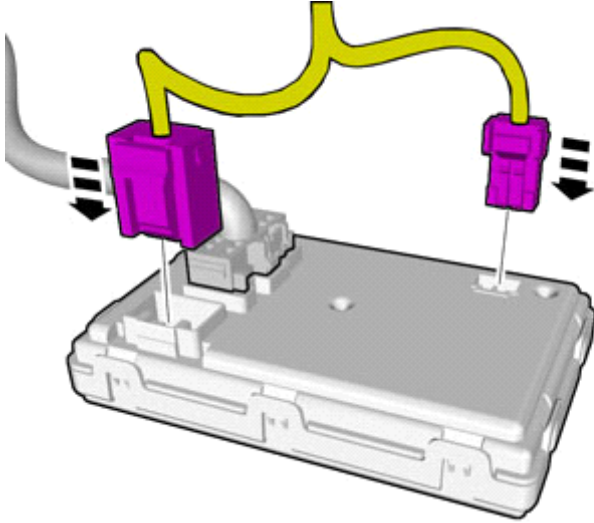
IMG-361481



Installation instructions, accessories

Volvo Car Corporation Gothenburg, Sweden

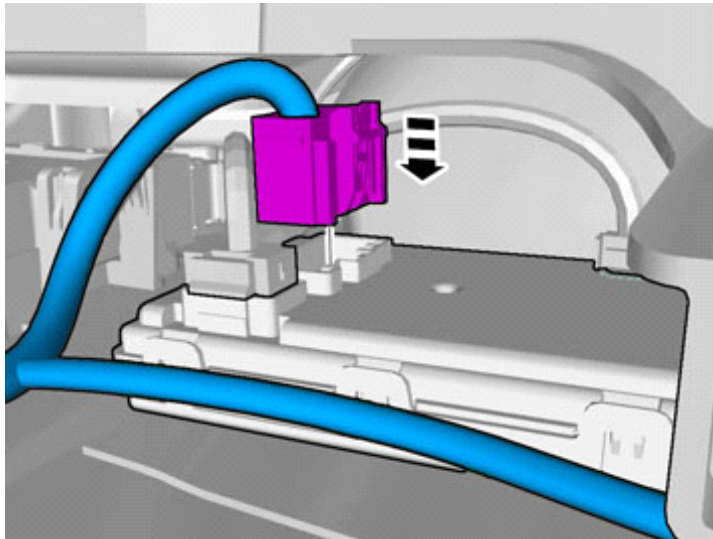
71



Connect the connectors.

IMG-361483

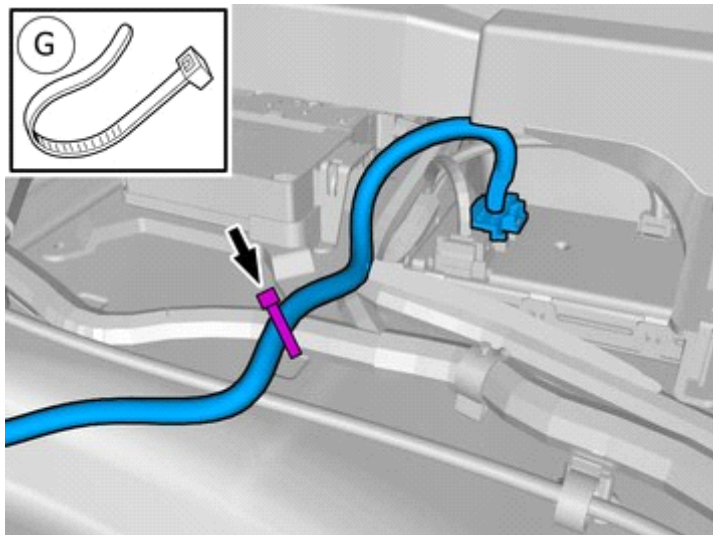
72



Connect the connector.

IMG-361573

73



Use a cable tie

Install the cable.

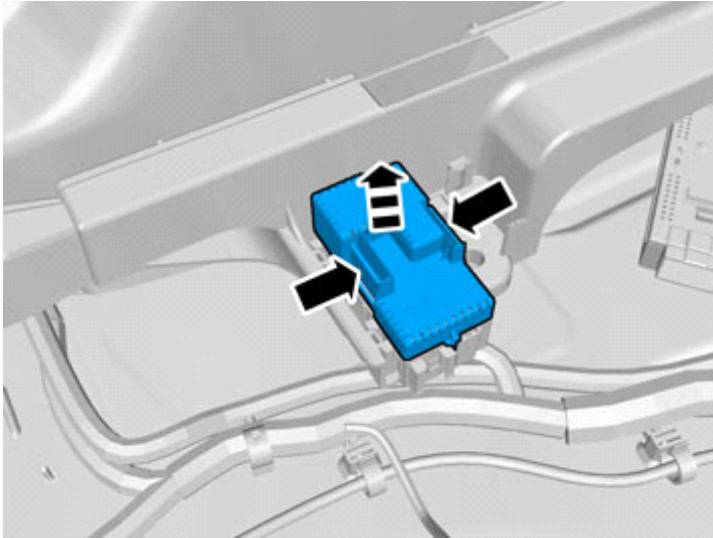
IMG-407131



Installation instructions, accessories

Volvo Car Corporation Gothenburg, Sweden

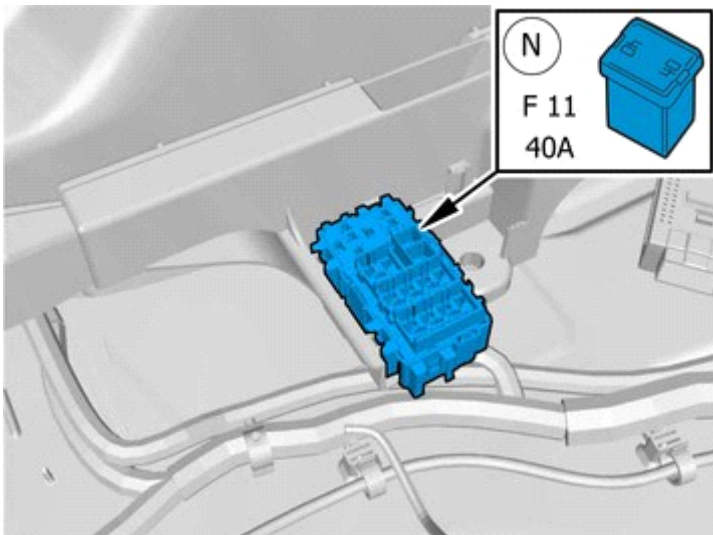
74



IMG-342291

Remove the marked part.

75



IMG-407120

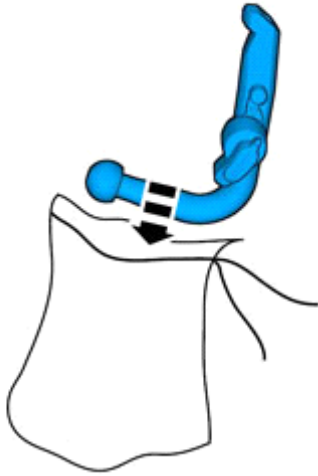
Install component that comes with the accessory kit.



Installation instructions, accessories

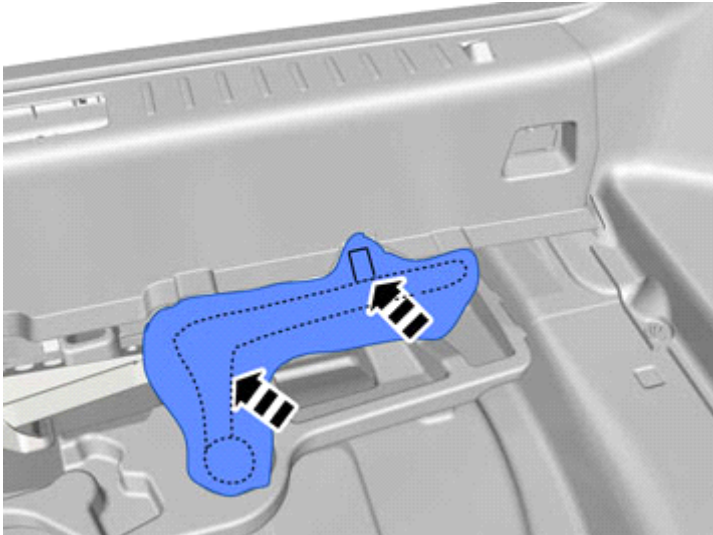
Volvo Car Corporation Gothenburg, Sweden

76



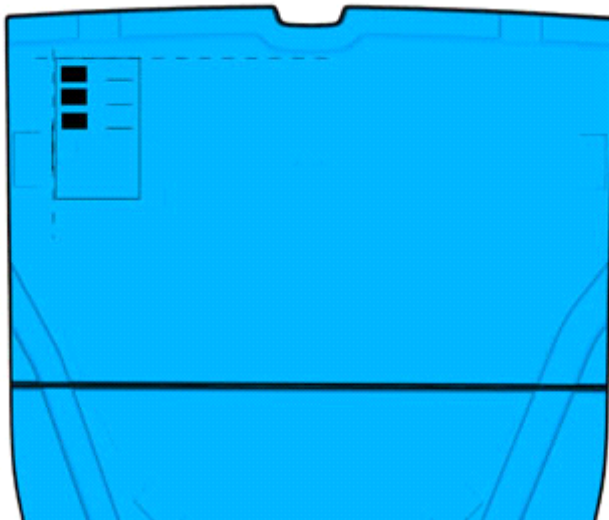
IMG-338588

77



IMG-338589

78



IMG-338586

Take the label from the kit and attach it to the underneath of the cargo compartment mat as illustrated.

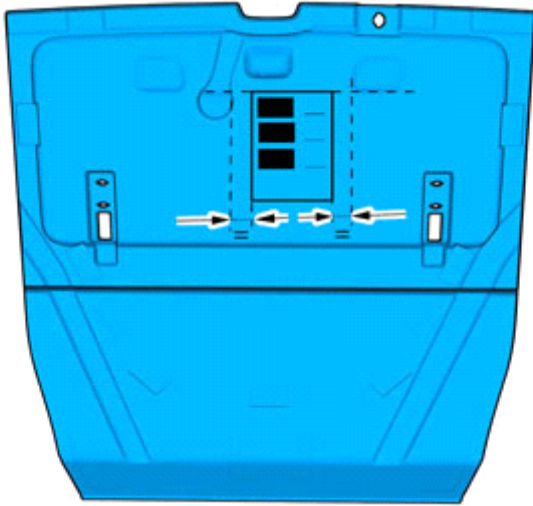
Attach the four corners of the label using staples.



Installation instructions, accessories

Volvo Car Corporation Gothenburg, Sweden

79

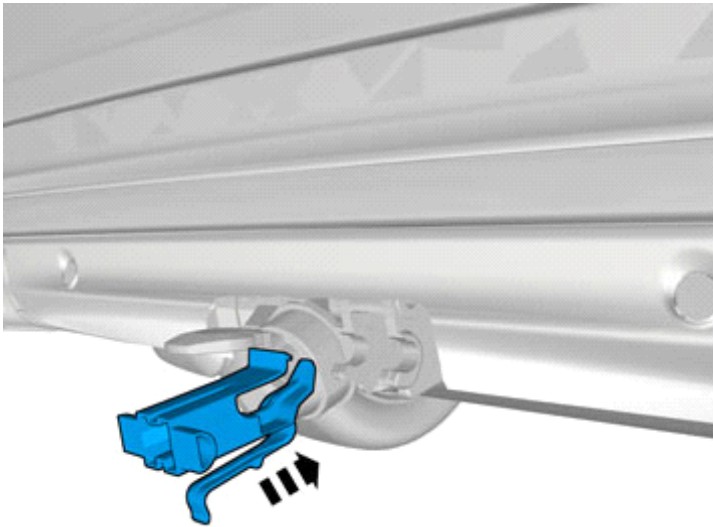


IMG-338587

Take the label from the kit and attach it to the underneath of the cargo compartment mat as illustrated.

Attach the four corners of the label using staples.

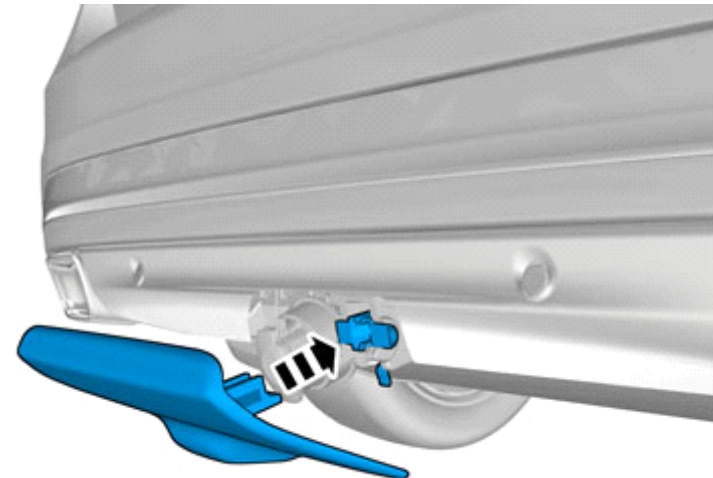
80



IMG-372330

Install component that comes with the accessory kit.

81



IMG-372215

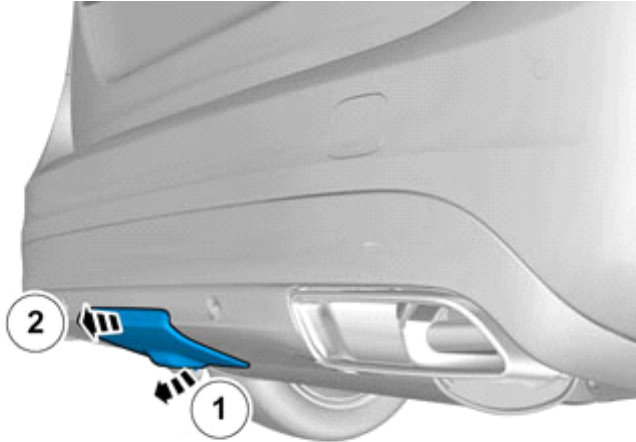
Install component that comes with the accessory kit.



Installation instructions, accessories

Volvo Car Corporation Gothenburg, Sweden

82



IMG-372217

83

Reinstall the removed parts in reverse order.

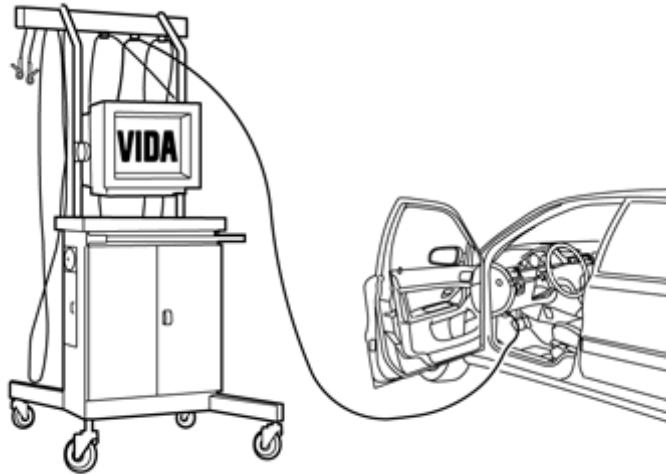
IMG-377070



Installation instructions, accessories

Volvo Car Corporation Gothenburg, Sweden

84



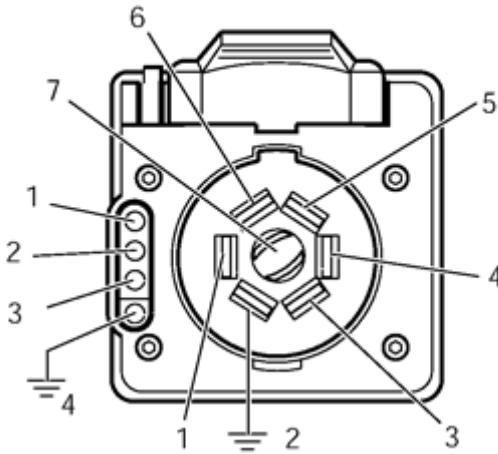
IMG-242268

Download software (application) for the accessory's function according to the service information in VIDA. See VIDA or the accessories catalogue for software part number.

Order and download software according to: 31350004

Check

85



IMG-249951

Warning!

Check for correct operation after the installation.

Note!

To activate the trailer module (TRM) at least two light sources (lamps) must be connected. This can be done by connecting test equipment for the trailer connector, or a trailer.

Note!

The trailer module (TRM) must be programmed with correct software to function correctly.

7-pin connection

- . Brake lamp/Left indicator
- . Ground connection
- . Spare slot (brake lamp, electrical trailer brake)
- . Stop lamp/ Right turn signal lamp
- . Charging
- . Position lamp
- . Spare (back-up light)

The wire for pin 3 for 7-pin connection is blue (BL)

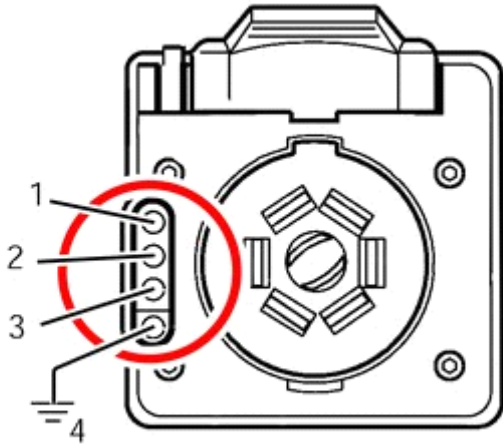


Installation instructions, accessories

Volvo Car Corporation Gothenburg, Sweden

The cable is secured at the wiring approximately 1 metre from the trailer connector.

86



4-pin connection

- Stop lamp/ Right turn signal lamp
- Brake lamp/Left indicator
- Position lamp
- Ground connection

IMG-384862